

Handling the Large Tripod Dolly

The tripod dolly is only suitable for flat surfaces!

- **Loosen the transport safety device (1)**
- **Fold out the carriage spokes to the limit stop** and push the transport safety device (1) back into the hole. The tripod dolly now has the typical star shape.
- **Secure the position of the carriage spokes** by tightening the central control element (2) (star grip) until it is flush with the central disk (3) on the upper side.

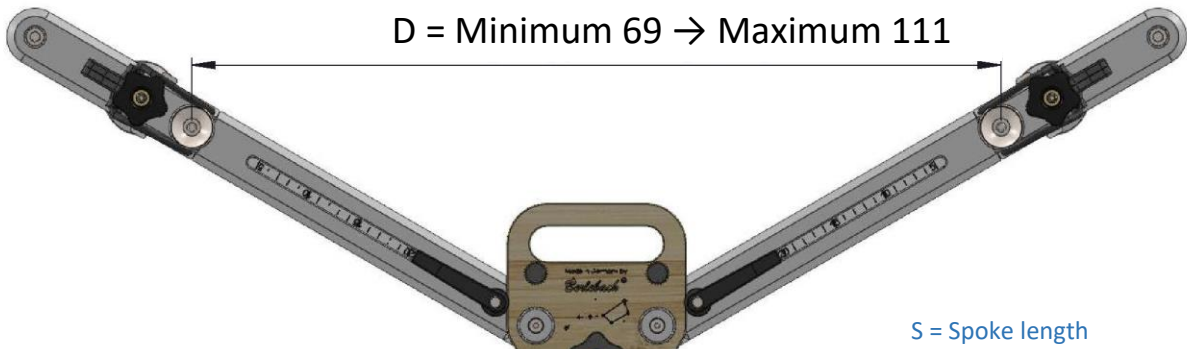
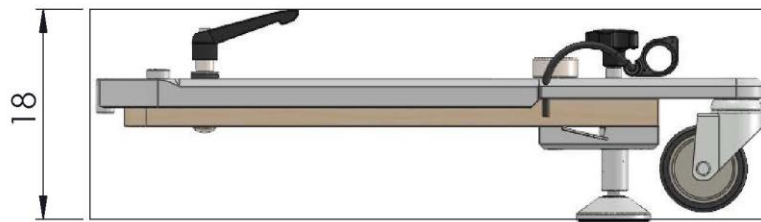


- **Extend the stand to the desired height** (minus -10 cm tripod dolly height)
- **Loosen the clamping lever (4)** and pull out the segments as required (see back for information table)
- **Place the tripod on the dolly**, it is recommended to place the tripod legs on the dolly one after the other and secure them with the elastic band (5).
Make sure that the tripod legs are fully spread and **tighten the clamping lever on the tripod dolly again.**



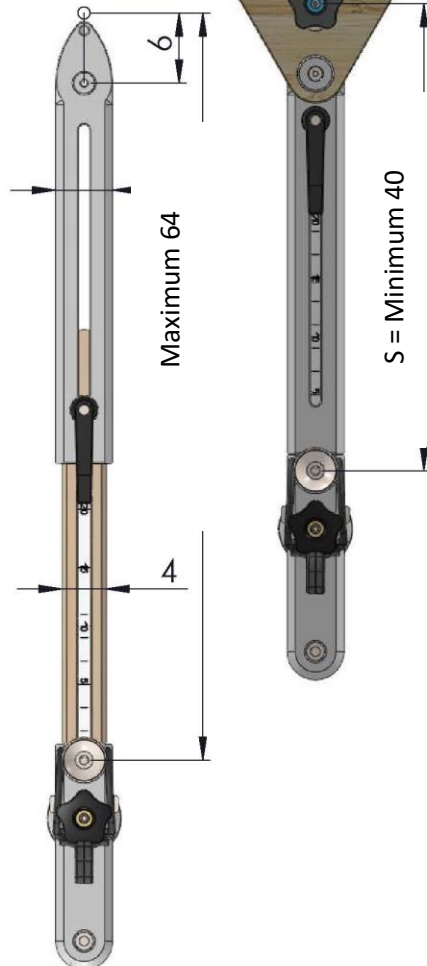
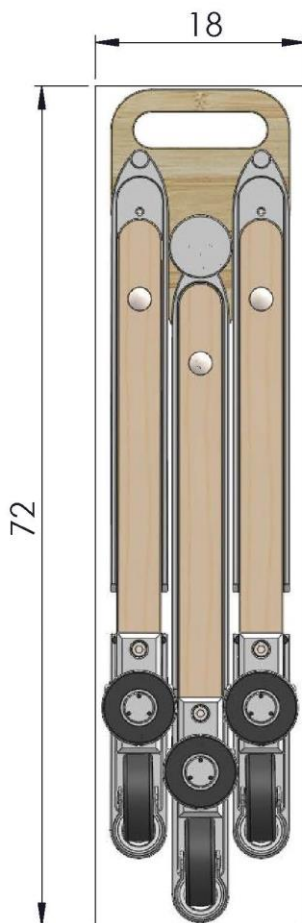
- **Fastening the tripod dolly:** To do this, press the star grip (6) from above until the support touches the ground. By turning the star knob clockwise, the carriage spoke is lifted via a fine thread until the wheel can move freely. The tripod and tripod dolly are now fixed in position.
- **Mounting your equipment on the tripod**
- **Fine levelling is possible via the star grip (6).**
- **Change of location - Driving with the tripod dolly**
Retract the support: Turn the star knob counterclockwise to the limit stop. Now press the locking device (7) downwards and at the same time pull the support (6) upwards to the limit stop.
- **Transport - Folding the tripod dolly:** In reverse order, disassemble the equipment and tripod and adjust the right and left carriage spokes to the value of about 4 cm.
Now move the central control element (2) with a few counterclockwise turns until a clear resistance is felt and the central disk (4) is positioned deep in the star grip. Now lift the tripod dolly slightly by the carrying handle until the control element disengages.
The two carriage spokes should now be freely movable. Now just remove the transport safety device (1) from the holder, fold in the carriage spokes and secure them. The tripod dolly is now ready for transport.

All dimensions in cm



S = Spoke length

D = Triangle length



S	D
	69
ink.	circa
1	71
2	73
3	74
4	76
5	78
6	80
7	81
8	83
9	85
10	87
11	88
12	90
13	92
14	94
15	95
16	97
17	99
18	100
19	102
20	104
21	106
22	107
23	109
24	111

Weight 7.3 kg



Stativtechnik

Wolfgang Fleischer

Chemnitzer Str. 2

D-09619 Mulda/ Germany



Tel.: +49(0) 37320-1201/1209

Fax: +49(0) 37320- 1202

E-mail: info@berlebach.de

Web: www.berlebach.de